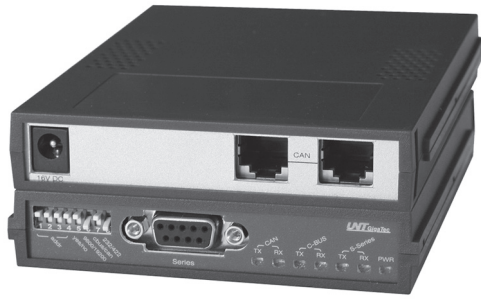


BOX-CBUS-CANS

RS232/422 Serial Port Extender

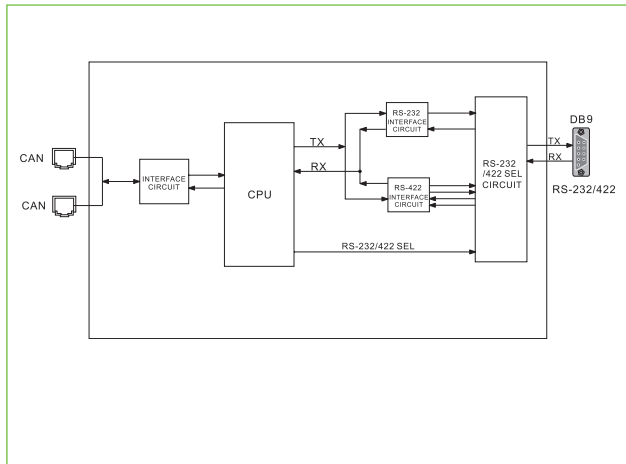


DESCRIPTION

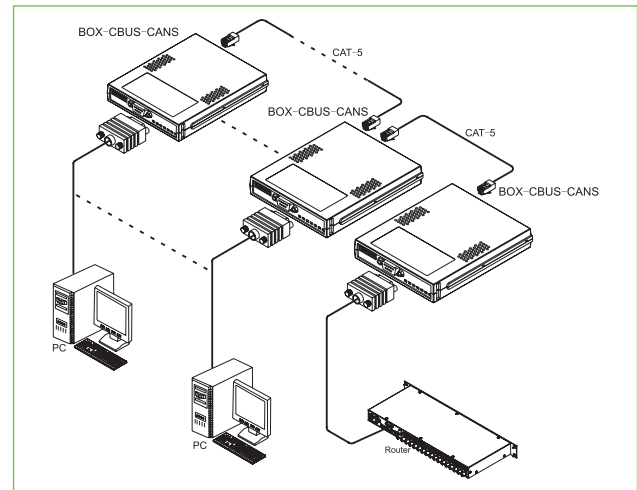
BOX-CBUS-CANS is a RS232/422 serial port extender. Multi-computer (up to 32) can control one or multiple equipment via CBUS-CANS. It supports the control protocol of routing switchers. Computer connects to multiple BOX-CBUS-CANS via RS-232/422 serial port, and multiple CBUS-CANS are cascaded via CAN-BUS port. RS-232 and RS-422 communication is optional. It's convenient for users to set via the DIP switch of its front panel.

BOX-CBUS-CANS is ideal for the occasions where multiple computers control the same equipment via RS-232/422 interface.

BLOCK DIAGRAM



SYSTEM CONNECTION DIAGRAM



SPECIFICATIONS

Mechanical

Width.....3.86 in. (98mm)
 Height.....0.79 in. (20mm)
 Depth.....4.72 in. (120mm)

Electrical

Power Consumption.....3 W
 Power Supply.....16V DC power supply adapter

Environmental

Operating Temperature.....32° ~ 104°F (0° ~ 40°C)
 Relative Humidity.....10% ~ 90%

CAN-BUS Specifications

Connector.....RJ-45 (x2)

RS-232/422 Specifications

Connector.....DB-9F

ORDERING INFORMATION

◆ Standard Accessories

Model	Product Description
BOX-CBUS-CANS	RS232/422 Serial Port Extender
BOX-PWR	Power Supply Adapter
BOX-HOLDER	Holder

◆ Optional Accessories

Model	Product Description
BOX-FM-1RU	BOX Series Rack Equipment (can accommodate at most eight 1/2RU high function modules)
BOX-PWD	1x6 Power Supply Distribution Module (power at most six function modules)