

ADA-1001

1x8 Analog Audio Distribution Amplifier

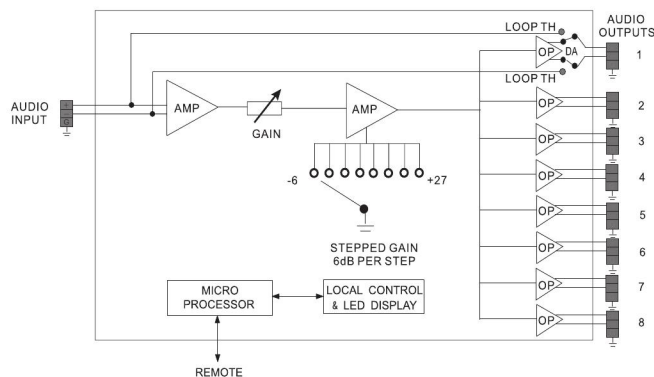
The ADA-1001 is a 1x8 analog audio distribution amplifier (DA). It is used in i-MOD platform. The module supports 1 analog audio input and 8 analog audio outputs. The first output supports power-off protection. Thus signal can be output continuously when module is removed or power is off.

The ADA-1001 can be controlled locally by means of an intuitive card-edge interface or remotely using i-MOD platform control software IM-MASTER.

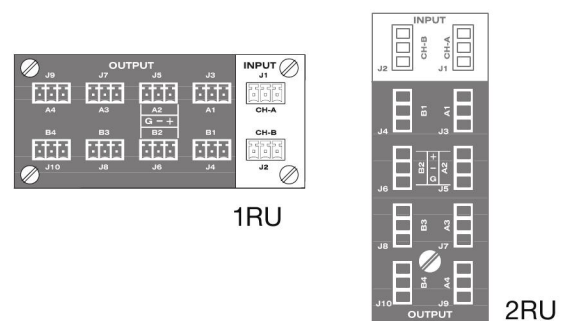
FEATURES

- One in, eight out (mono)
- Gain ranges from -6 dB to +27 dB
- The first output is power-off protected
- Excellent output isolation and crosstalk rejection
- Non-volatile memory
- Hot-swappable
- IM-MASTER control supported

BLOCK DIAGRAM



BACK MODULES



SPECIFICATIONS

Specifications are subject to change without notice.

INPUT

Signal Format.....Balanced analog audio
Connector.....3Pin (x1)
Impedance.....>20 k Ω
Common Mode Range..... ± 10 V
Common Rejection Ratio.....>90 dB @ 60 Hz
>60 dB @ 20 kHz

OUTPUT

Signal Format.....Balanced analog audio
Connector.....3Pin (x8)
Impedance.....33 Ω

PERFORMANCE

Gain Range.....-6 dB ~ +27 dB
THD.....<0.02%, 20 Hz ~ 20 kHz
relative to 1 kHz
THD+N.....<0.03%
Frequency Response..... ± 0.25 dB, 20 Hz ~ 20 kHz

ELECTRICAL

Power.....2.5 W

ENVIRONMENTAL

Operating Temperature.....32° ~ 104° F (0° ~ 40° C)
Relative Humidity.....10% ~ 90%