

ADA-1002

Dual 1x4 Analog Audio Distribution Amplifier

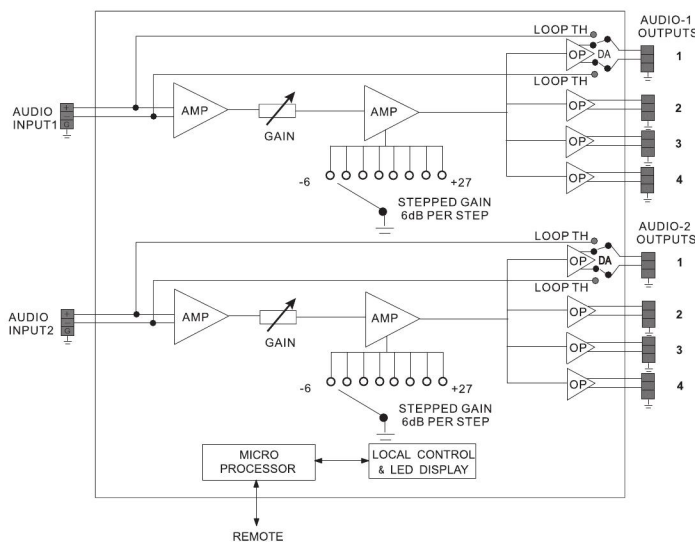
The ADA-1002 is a dual 1x4 analog audio distribution amplifier (DA). It is used in i-MOD platform. The module provides dual-channel DA with 4 analog audio outputs for 1 analog audio input on each channel. The first output on each channel supports power-off protection. Thus signal can be output continuously when module is removed or power is off.

The ADA-1002 can be controlled locally by means of an intuitive card-edge interface or remotely using i-MOD platform control software IM-MASTER.

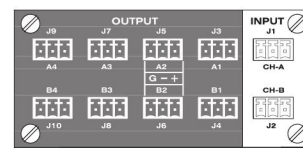
FEATURES

- Dual 1x4 distribution mode
- Gain ranges from -6dB to +27dB
- Each first output is power-off protected
- Excellent output isolation and crosstalk rejection
- Non-volatile memory
- Hot-swappable
- IM-MASTER control supported

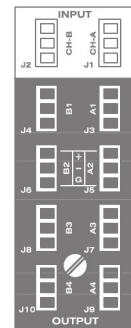
BLOCK DIAGRAM



BACK MODULES



1RU



2RU

SPECIFICATIONS

Specifications are subject to change without notice.

INPUT

Signal Format.....Balanced analog audio
Connector.....3Pin (x2)
Impedance>20 k Ω
Common Mode Range..... ± 10 V
Common Rejection Ratio.....>90 dB @ 60 Hz
>60 dB @ 20 kHz

OUTPUT

Signal Format.....Balanced analog audio
Connector.....3Pin (x4x2)
Impedance.....33 Ω

PERFORMANCE

Gain Range.....-6 dB ~ +27 dB
THD.....<0.02%, 20 Hz ~ 20 kHz
relative to 1 kHz
THD+N.....<0.03%
Frequency Response..... ± 0.25 dB, 20 Hz ~ 20 kHz

ELECTRICAL

Power.....3 W

ENVIRONMENTAL

Operating Temperature.....32 $^{\circ}$ ~ 104 $^{\circ}$ F (0 $^{\circ}$ ~ 40 $^{\circ}$ C)
Relative Humidity.....10% ~ 90%