

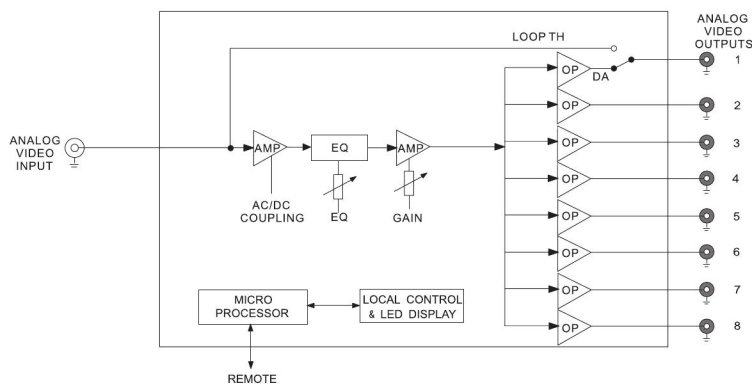
VDA-1002

1x8 Analog Video Distribution Amplifier with Equalizing

The VDA-1002 is a 1x8 analog video distribution amplifier (DA) with cable equalizing. It is used in i-MOD platform. The module provides a single channel DA with 8 analog video outputs for 1 analog video input. The first output supports power-off protection. Thus signal can be output continuously when module is removed or power is off. Cable equalizing can be customized up to 1000 ft (300 m).

The VDA-1002 can be controlled locally by means of an intuitive card-edge interface or remotely using i-MOD platform control software IM-MASTER.

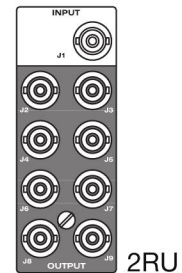
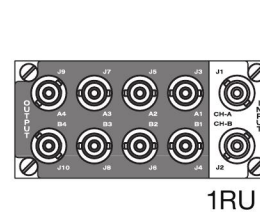
BLOCK DIAGRAM



FEATURES

- 1 analog video input
- 8 analog video outputs
- Supports CVBS, YUV, sync signal and subcarrier in NTSC, PAL and SECAM
- Gain ranges from -6 dB to +6 dB, high-frequency response adjustable
- Bandwidth up to 30 MHz
- Equalizing up to 1000 ft (300 m)
- The first output is power-off protected
- Non-volatile memory
- Hot-swappable
- IM-MASTER control supported

BACK MODULES



SPECIFICATIONS

Specifications are subject to change without notice.

INPUT

Signal Format.....CVBS
 Connector.....BNC (x1)
 Impedance.....75 Ω
 Return Loss.....>40 dB @ 5.5 MHz
 Common Mode Rejection Ratio.....>60 dB @ 10 kHz
 Cable EQ Range.....0 ~ 1000 ft (300 m)

OUTPUT

Signal Format.....CVBS
 Connector.....BNC (x8)
 Impedance.....75 Ω
 Return Loss.....>40 dB @ 5.5 MHz

PERFORMANCE

Gain Range.....-6 dB ~ +6 dB adjustable
 Gain Stability.....<0.02 dB/10° C

Frequency Response.....±0.1 dB @ 8 MHz
 Differential Gain.....≤0.15%
 Differential Phase.....≤0.15°
 Chr/Lum Delay Diff.....<5 ns
 S/N Ratio.....>75 dB @ 6 MHz
 Hum.....<1 mVp-p
 H Tilt.....< 0.25 %
 V Tilt.....< 0.25 %

ELECTRICAL

Power.....2 W

ENVIRONMENTAL

Operating Temperature.....32° ~ 104° F (0° ~ 40° C)
 Relative Humidity.....10% ~ 90%