

VDA-1004

Dual 1x4 Analog Video Distribution Amplifier

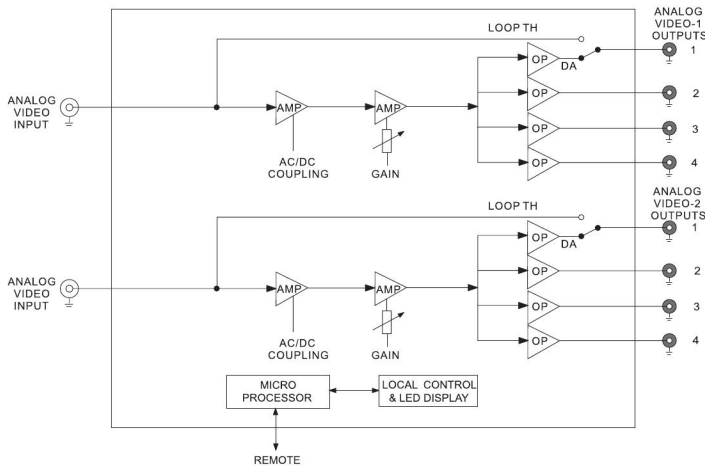
The VDA-1004 is a dual 1x4 analog video distribution amplifier (DA). It is used in i-MOD platform. The module provides a dual-channel DA with 4 outputs for 1 input on each channel. Each first output supports power-off protection. Thus signal can be output continuously when module is removed or power is off.

The VDA-1004 can be controlled locally by means of an intuitive card-edge interface or remotely using i-MOD platform control software IM-MASTER.

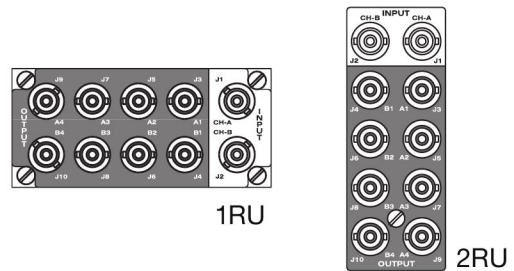
FEATURES

- Dual 1x4 distribution mode
- Supports CVBS, YUV, sync signal and subcarrier in NTSC, PAL and SECAM
- Gain ranges from -6 dB to +6 dB, high-frequency response adjustable
- Bandwidth up to 30 MHz
- Each first output is power-off protected
- Non-volatile memory
- Hot-swappable
- IM-MASTER control supported

BLOCK DIAGRAM



BACK MODULES



SPECIFICATIONS

Specifications are subject to change without notice.

INPUT

Signal Format.....CVBS
 Connector.....BNC (x2)
 Impedance.....75 Ω
 Return Loss.....>40 dB @ 5.5 MHz
 Common Mode Rejection Ratio.....>60 dB @ 10 kHz

OUTPUT

Signal Format.....CVBS
 Connector.....BNC (x4x2)
 Impedance.....75 Ω
 Return Loss.....>40 dB @ 5.5 MHz

PERFORMANCE

Gain Range.....-6 dB ~ +6 dB adjustable
 Gain Stability.....<0.02 dB/10° C
 Frequency Response.....±0.1 dB @ 8 MHz

Differential Gain.....≤0.15%
 Differential Phase.....≤0.15°
 Chr/Lum Delay Diff.....<5 ns
 S/N Ratio.....>75 dB @ 6 MHz
 Hum.....<1 mVp-p
 H Tilt.....< 0.25 %
 V Tilt.....< 0.25 %

ELECTRICAL

Power.....2W

ENVIRONMENTAL

Operating Temperature.....32° ~ 104° F (0° ~ 40° C)
 Relative Humidity.....10% ~ 90%