

# VDA-1005

## Dual 1x4 Analog Video Distribution Amplifier with Equalizing

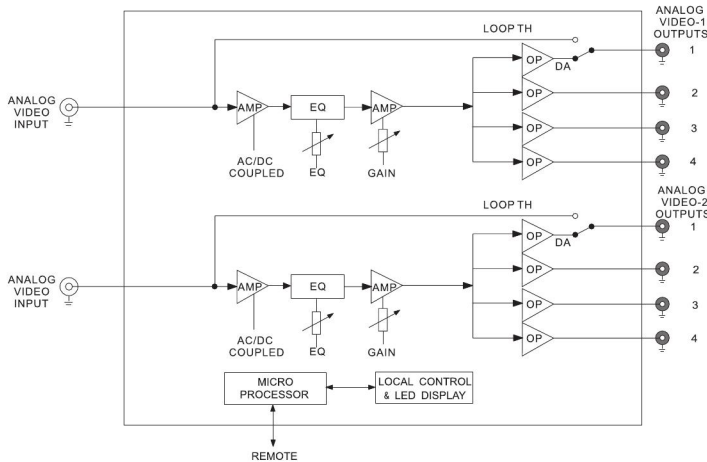
The VDA-1005 is a dual 1x4 analog video distribution amplifier (DA) with equalizing. It is used in i-MOD platform. The module provides a dual-channel DA with 4 outputs for 1 input on each channel. Each first output supports power-off protection. Thus signal can be output continuously when module is removed or power is off. Cable equalizing can be customized up to 1000 ft (300 m).

The VDA-1005 can be controlled locally by means of an intuitive card-edge interface or remotely using i-MOD platform control software IM-MASTER.

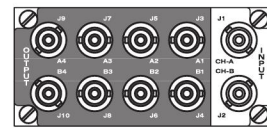
### FEATURES

- Dual 1x4 distribution mode
- Supports CVBS, YUV, sync signal and subcarrier in NTSC, PAL and SECAM
- Gain ranges from -6 dB to +6 dB, high-frequency response adjustable
- Equalizing up to 1000 ft (300 m)
- Bandwidth up to 30 MHz
- Each first output is power-off protected
- Non-volatile memory
- Hot-swappable
- IM-MASTER control supported

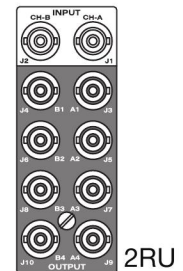
### BLOCK DIAGRAM



### BACK MODULES



1RU



2RU

### SPECIFICATIONS

Specifications are subject to change without notice.

#### INPUT

Signal Format.....CVBS  
 Connector.....BNC (x2)  
 Impedance.....75 Ω  
 Return Loss.....>40 dB @ 5.5 MHz  
 Common Mode Rejection Ratio.....>60 dB @ 10 kHz  
 Cable EQ Range.....0 ~ 1000 ft (300 m)

#### OUTPUT

Signal Format.....CVBS  
 Connector.....BNC (x4x2)  
 Impedance.....75 Ω  
 Return Loss.....>40 dB @ 5.5 MHz

#### PERFORMANCE

Gain Range.....-6 dB ~ +6 dB adjustable

Gain Stability.....<0.02 dB/10 ° C  
 Frequency Response.....±0.1 dB @ 8 MHz  
 Differential Gain.....≤0.15%  
 Differential Phase.....≤0.15°  
 Chr/Lum Delay Diff.....<5 ns  
 S/N Ratio.....>75 dB @ 6 MHz  
 Hum.....<1 mVp-p  
 H Tilt.....<0.25 %  
 V Tilt.....<0.25 %

#### ELECTRICAL

Power.....2 W

#### ENVIRONMENTAL

Operating Temperature.....32° ~ 104° F (0° ~ 40° C)  
 Relative Humidity.....10% ~ 90%