

# SDA-1103

## Dual 1x4 SDI/ASI Distribution Amplifier with Reclocking and Equalizing

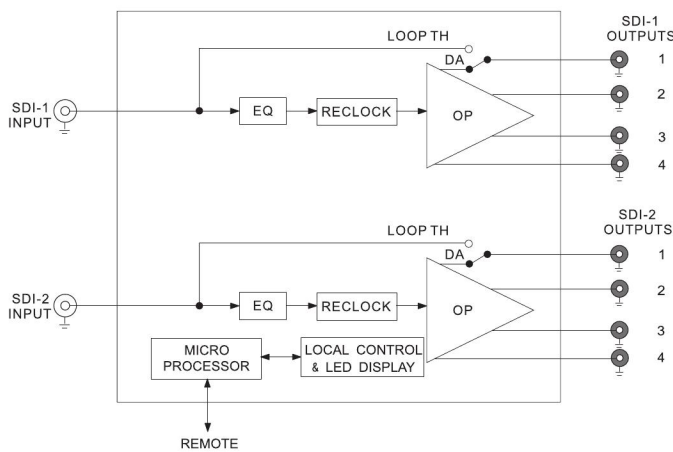
The SDA-1103 is a dual 1x4 SDI/ASI distribution amplifier (DA) with equalizing and reclocking. It is used in i-MOD platform. The module provides a dual-channel DA with 4 SDI/ASI outputs for 1 input on each channel. Each first output supports power-off protection. Thus signal can be output continuously when module is removed or power is off. Equalizing is up to 492 ft (150 m). Reclocking is available.

The SDA-1103 can be controlled locally by means of an intuitive card-edge interface or remotely using i-MOD platform control software IM-MASTER.

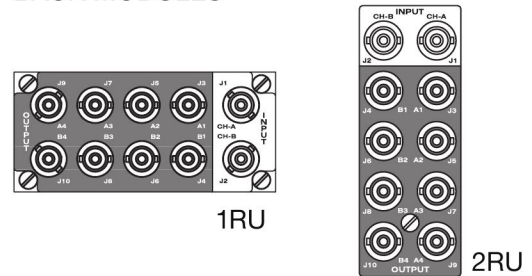
### FEATURES

- Dual 1x4 distribution mode
- Supports DVB-ASI, SMPTE 259M A , B , C , D (143, 177, 270, 360 Mbps) signal and digital signal from 10 to 540 Mbps
- Equalizing up to 492 ft (150 m)
- Auto reclocking available
- Each first output is power-off protected
- Non-volatile memory
- Hot-swappable
- IM-MASTER control supported

### BLOCK DIAGRAM



### BACK MODULES



### SPECIFICATIONS

Specifications are subject to change without notice.

#### INPUT

Signal Format.....SMPTE 259M, DVB-ASI  
 Connector.....BNC (x2)  
 Impedance .....75 Ω  
 Return Loss.....>15 dB @ 270 MHz  
 EQ Distance.....<492 ft (150 m),  
 Belden1694A cable or equivalent

#### OUTPUT

Signal Format.....SMPTE 259M, DVB-ASI  
 Connector.....BNC (x4x2)  
 Impedance.....75 Ω  
 Return Loss.....>18 dB @ 270 MHz  
 >15 dB @ 360 MHz  
 Amplitude.....800 mVp-p ±10%

#### PERFORMANCE

Jitter.....<0.2 UI  
 Overshoot.....<10% of amplitude  
 Rise/Fall Time.....400 ~ 1500 ps,  
 20% ~ 80% of amplitude  
 Rise/Fall Time Diff.....<500 ps

#### ELECTRICAL

Power.....5 W

#### ENVIRONMENTAL

Operating Temperature.....32° ~ 104° F (0° ~ 40° C)  
 Relative Humidity.....10% ~ 90%