

SDA-1105

1x8 SDI/ASI Distribution Amplifier with Equalizing

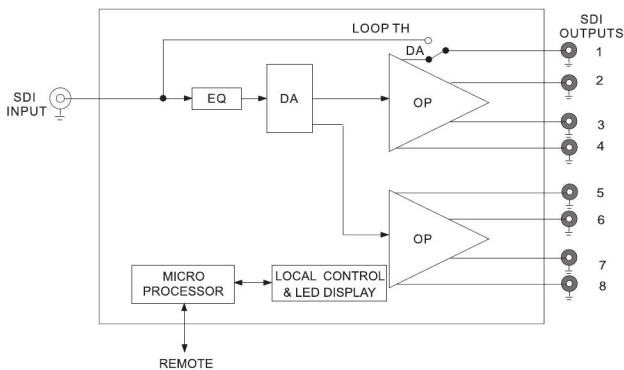
The SDA-1105 is a 1x8 SDI/ASI distribution amplifier (DA) with equalizing. It is used in i-MOD platform. The module provides a single-channel DA with 8 SDI/ASI outputs for 1 input. The first output supports power-off protection. Thus signal can be output continuously when module is removed or power is off. Equalizing is up to 492 ft (150 m).

The SDA-1105 can be controlled locally by means of an intuitive card-edge interface or remotely using i-MOD platform control software IM-MASTER.

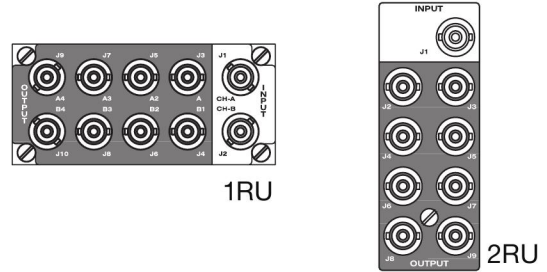
FEATURES

- 1 SDI/ASI input, 8 SDI/ASI outputs
- Supports DVB-ASI, SMPTE 259M A, B, C, D (143, 177, 270, 360 Mbps) signal and digital signal from 10 to 540 Mbps
- Equalizing up to 492 ft (150 m)
- The first output is power-off protected
- Non-volatile memory
- Hot-swappable
- IM-MASTER control supported

BLOCK DIAGRAM



BACK MODULES



SPECIFICATIONS

Specifications are subject to change without notice.

INPUT

Signal Format.....SMPTE 259M, DVB-ASI
 Connector.....BNC (x1)
 Impedance.....75 Ω
 Return Loss.....>15 dB @ 270 MHz
 EQ Distance.....<492 ft (150 m),
 Belden1694A cable or equivalent

OUTPUT

Signal Format.....SMPTE 259M, DVB-ASI
 Connector.....BNC (x8)
 Impedance.....75Ω
 Return Loss.....>18 dB @ 270MHz
 >15 dB @ 360MHz

Amplitude.....800 mVp-p ±10%

PERFORMANCE

Jitter.....<0.2 UI
 Overshoot.....<10% of amplitude
 Rise/Fall Time.....400 ~ 1500 ps,
 20% ~ 80% of amplitude
 Rise/Fall Time Diff.....<500 ps

ELECTRICAL

Power.....4 W

ENVIRONMENTAL

Operating Temperature.....32° ~ 104° F (0° ~ 40° C)
 Relative Humidity.....10% ~ 90%