

DSA-1004

Dual 1x4 DS3 Distribution Amplifier

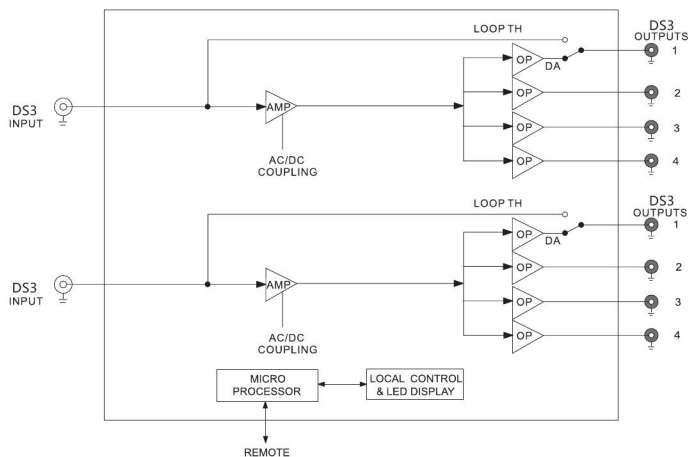
The DSA-1004 is a dual 1x4 DS3 distribution amplifier (DA). It is used in i-MOD platform. The module provides dual-channel DA with 4 DS3 outputs for 1 DS3 input on each channel. The first output supports power-off protection. Thus signal can be output continuously when module is removed or power is off.

The DSA-1004 can be controlled locally by means of an intuitive card-edge interface or remotely using i-MOD platform control software IM-MASTER.

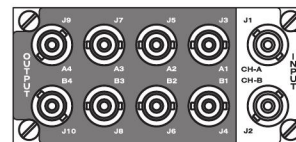
FEATURES

- Dual 1x4 distribution mode
- Bandwidth up to 30 MHz
- The first output is power-off protected
- Non-volatile memory
- Hot-swappable
- IM-MASTER control supported

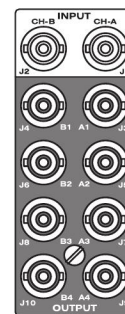
BLOCK DIAGRAM



BACK MODULES



1RU



2RU

SPECIFICATIONS

Specifications are subject to change without notice.

INPUT

Signal Format.....DS3
 Connector.....BNC, 75Ω ±5%
 Data Rate.....44.736 Mbps ±895 bps
 Single Amplitude Value.....0.36 ~ 0.85 V
 P & N Pulse Ratio.....0.9 ~ 1.10

Single Amplitude Value.....0.5 V ±0.1 V
 P & N Pulse Ratio.....0.9 ~ 1.10

ELECTRICAL

Power.....±12 V DC power inputs
 Power Consumption.....2 W

OUTPUT

Signal Format.....DS3
 Connector.....BNC, 75 Ω ±5%
 Data Rate.....44.736 Mbps ±895 bps

ENVIRONMENTAL

Operating Temperature.....32° ~ 104° F (0° ~ 40° C)
 Relative Humidity.....10% ~ 90%