

HDA-1003

Dual 1x4 HD-SDI Distribution Amplifier with Reclocking and Equalizing

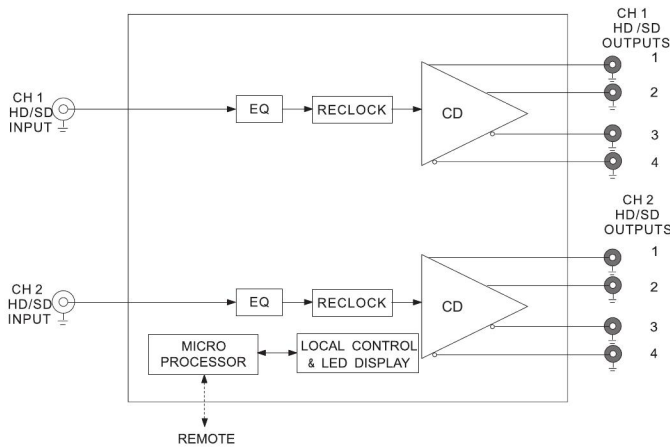
The HDA-1003 is a dual 1x4 HD/SD-SDI distribution amplifier (DA) with equalizing and reclocking. It is used in i-MOD platform. The module provides a dual-channel DA with 4 HD/SD-SDI outputs for 1 HD/SD-SDI input on each channel. Equalizing is up to 1000 ft (300 m) and reclocking is available.

The HDA-1003 can be controlled locally by means of an intuitive card-edge interface or remotely using i-MOD platform control software IM-MASTER.

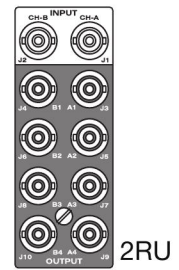
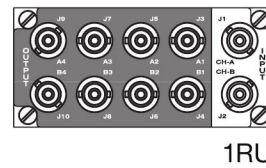
FEATURES

- Dual 1x4 distribution mode
- Supports HD/SD-SDI compliant with SMPTE-259M /292M
- Auto equalizing up to:
1000 ft (300 m) for HD-SDI
660 ft (200 m) for SD-SDI
- Auto detection of HD/SD-SDI input
- Auto reclocking available
- Non-volatile memory
- Hot-swappable
- IM-MASTER control supported

BLOCK DIAGRAM



BACK MODULES



SPECIFICATIONS

Specifications are subject to change without notice.

INPUT

Signal Format.....SMPTE 259M/292M, DVB-ASI
 Connector.....BNC (x2)
 Impedance.....75 Ω
 Return Loss.....>15 dB @ 270 MHz
 EQ Distance.....<660 ft (200 m), 540 Mbps
 <1000 ft (300 m), 270Mbps
 Belden1694A cable or equivalent

OUTPUT

Signal Format.....SMPTE 259M/292M, DVB-ASI
 Connector.....BNC (x4x2)
 Impedance.....75 Ω
 Return Loss.....≥15 dB, 5 ~ 270 MHz, SD
 ≥15 dB, 5 ~ 742.5 MHz, HD
 ≥10 dB, 742.5 ~ 1485 MHz, HD

Amplitude.....800 mVp-p ±10%

PERFORMANCE

Jitter.....<0.2 UI
 Overshoot.....<10% of amplitude
 Rise/Fall Time..... HD: ≤270 ps
 SD: 400~1500 ps
 Rise/Fall Time Dif.....<500 ps, SD
 <100 ps, HD

ELECTRICAL

Power.....5 W

ENVIRONMENTAL

Operating Temperature.....32° ~ 104° F (0° ~ 40° C)
 Relative Humidity.....10% ~ 90%