

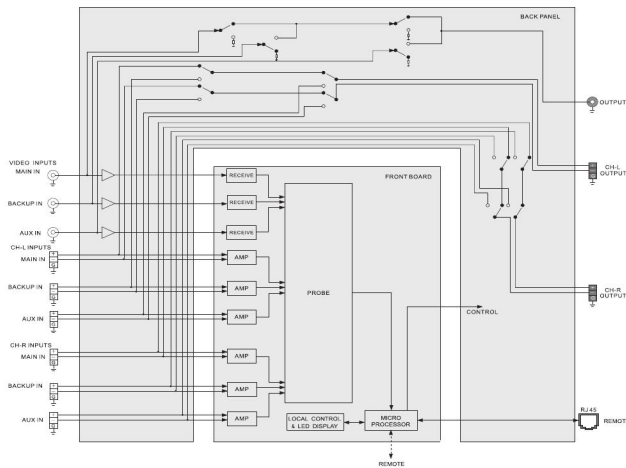
AUS-5103D

Analog Video+Stereo Audio 3x1 Changeover

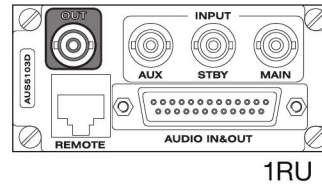
FEATURES

- Manual and auto control
- H/V sync detection for each video input
- Input audio level detection
- Four audio switching delay options: 10 s, 25 s, 45 s, 60 s
- By-pass protection
- Non-volatile memory
- Hot-swappable
- Computer software control supported

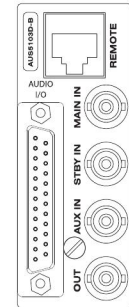
BLOCK DIAGRAM



BACK MODULES



1RU



2RU

SPECIFICATIONS

Specifications are subject to change without notice.

ANALOG VIDEO INPUT

Connector.....BNCx3

ANALOG VIDEO OUTPUT

Connector.....BNCx1

ANALOG AUDIO INPUT

Connector.....DB-25, 3 pairs of analog stereo audio

ANALOG AUDIO OUTPUT

Connector.....DB-25, 1 pairs of analog stereo audio

REMOTE PORT

Connector.....RJ45x1

ELECTRICAL

Power.....±12 V DC power inputs

ENVIRONMENTAL

Operating Temperature.....32° ~ 104° F (0° ~ 40° C)

Relative Humidity.....10% ~ 90%