

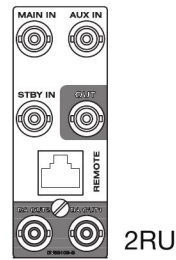
DVS-5103

SDI/ASI 3x1 Changeover

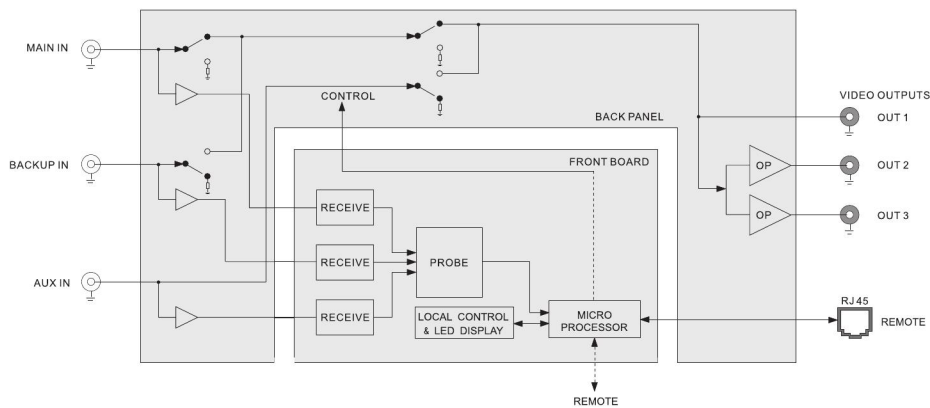
FEATURES

- Manual and auto control
- Provides two additional video outputs
- By-pass protection
- Non-volatile memory
- Hot-swappable
- Computer software control supported

BACK MODULE



BLOCK DIAGRAM



SPECIFICATIONS

Specifications are subject to change without notice.

DIGITAL VIDEO INPUT

Connector.....BNCx3

DIGITAL VIDEO OUTPUT

Connector.....BNCx3

ELECTRICAL

Power.....±12 V DC power inputs

ENVIRONMENTAL

Operating Temperature.....32° ~ 104° F (0° ~ 40° C)

Relative Humidity.....10% ~ 90%