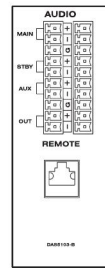


### FEATURES

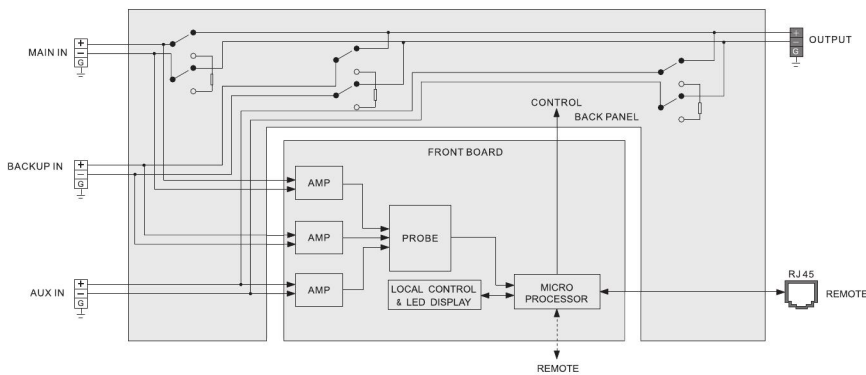
- Manual and auto control
- Detection of input audio level
- Four audio switching delay options: 10 s, 25 s, 45 s, 60 s
- By-pass protection
- Non-volatile memory
- Hot-swappable
- Computer software control supported

### BACK MODULE



2RU

### BLOCK DIAGRAM



### SPECIFICATIONS

Specifications are subject to change without notice.

#### DIGITAL AUDIO INPUT

Signal Format.....AES/EBU  
 Connector.....3Pinx6 (common ground)

#### DIGITAL AUDIO OUTPUT

Signal Format.....Analog video output  
 Connector.....3Pinx2

#### REMOTE PORT

Connector.....RJ45x1

#### ELECTRICAL

Power.....±12 V DC power inputs

#### ENVIRONMENTAL

Operating Temperature.....32° ~ 104° F (0° ~ 40° C)  
 Relative Humidity.....10% ~ 90%