

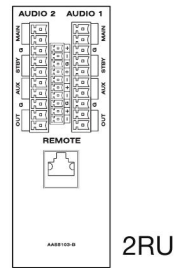
AAS-5103

Stereo Audio 3x1 Changeover

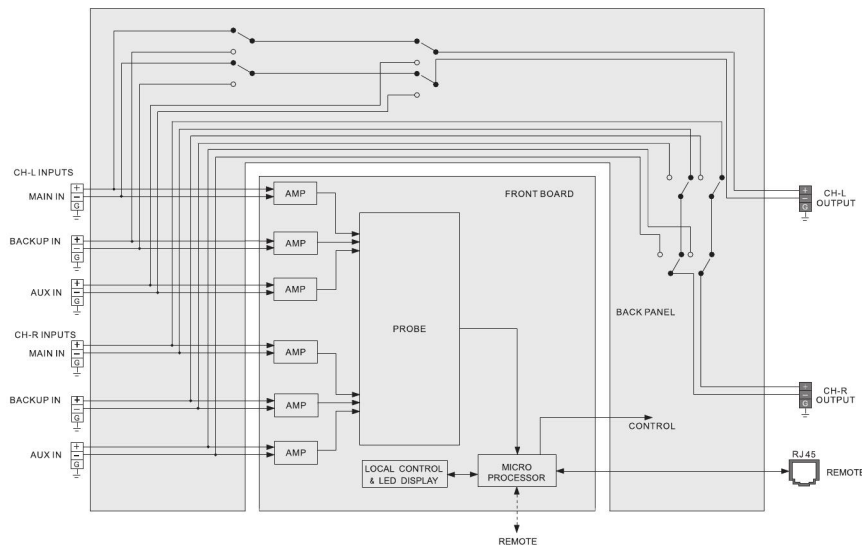
FEATURES

- Manual and auto control
- Detection of positive and negative audio amplitudes
- Four audio switching delay options: 10 s, 25 s, 45 s, 60 s
- By-pass protection
- Non-volatile memory
- Hot-swappable
- Computer software control supported

BACK MODULE



BLOCK DIAGRAM



SPECIFICATIONS

Specifications are subject to change without notice.

ANALOG STEREO AUDIO INPUT

Connector.....3Pinx6, 6 pairs of analog stereo audio

ANALOG STEREO AUDIO OUTPUT

Connector.....3Pinx2, 2 pair of analog stereo audio

REMOTE PORT

Connector.....RJ45x1

ELECTRICAL

Power.....±12 V DC power inputs

ENVIRONMENTAL

Operating Temperature.....32° ~ 104° F (0° ~ 40° C)

Relative Humidity.....10% ~ 90%