

BOX-AVS-401

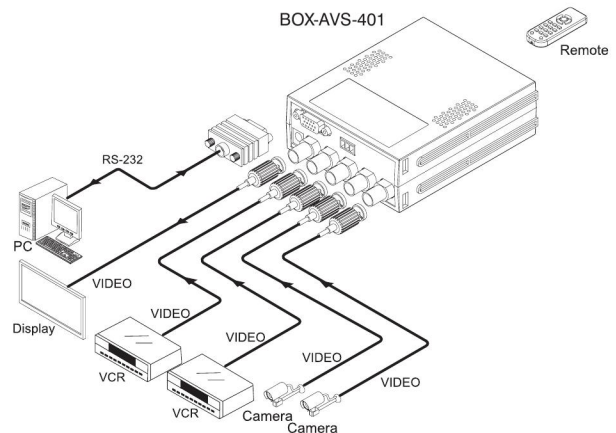
4x1 Analog Video Switcher



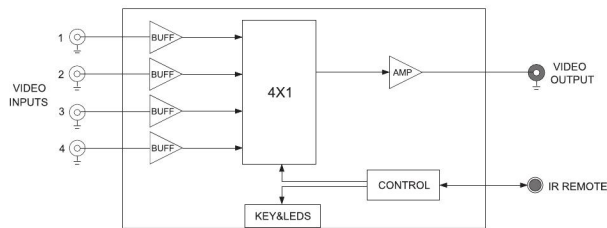
FEATURES

- 4x1 analog video switcher
- Routes any analog video input to the output
- Controlled by local buttons or infrared remote controller
- Connected to PC via RS-232/422 port
- LINK button for multiple-frame cascading operation
- Non-volatile memory

APPLICATION DIAGRAM



BLOCK DIAGRAM



SPECIFICATIONS

Specifications are subject to change without notice.

INPUT

Connector.....BNC (x4)
Signal Format.....CVBS

OUTPUT

Connector.....BNC (x1)
Signal Format.....CVBS

MECHANICAL

Width.....3.86 in. (98 mm)

Height.....1.58 in. (40 mm)
Depth.....4.72 in. (120 mm)

ELECTRICAL

Power Consumption.....2 W

ENVIRONMENTAL

Operating Temperature.....32° ~ 104° F (0° ~ 40° C)
Relative Humidity.....10% ~ 90%