

BOX-CVC-101

Analog Video to VGA Converter

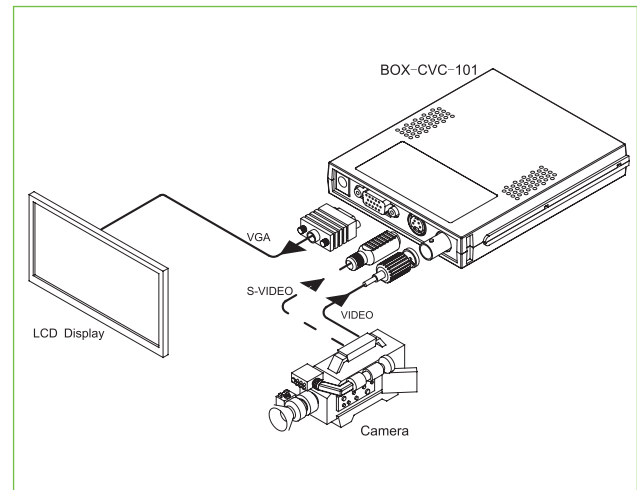


DESCRIPTION

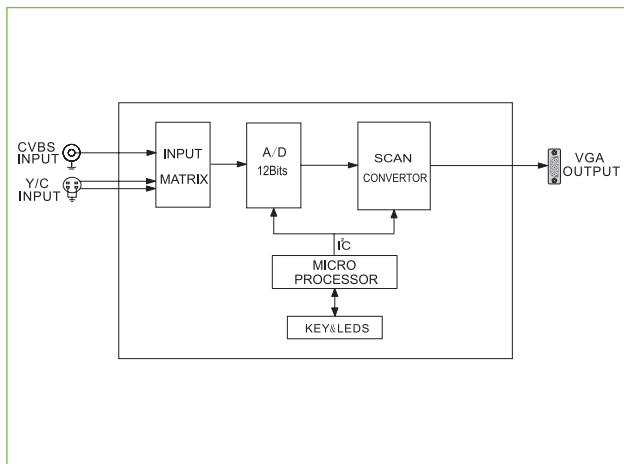
BOX-CVC-101 is a converter from analog video to VGA. It supports analog video input at PAL & NTSC standards, and supports CVBS or Y/C input and VGA output. Gain, Luminance, Contrast and Chroma of the output image can be adjusted via the button of its front panel.

BOX-CVC-101 is ideal for Video Conference, Multi-media and Security Monitoring, etc.

SYSTEM CONNECTION DIAGRAM



BLOCK DIAGRAM



SPECIFICATIONS

Mechanical

Width.....3.86 in. (98mm)
Height.....0.79 in. (20mm)
Depth.....4.72 in. (120mm)

Electrical

Power Consumption.....3 W
Power Supply.....16V DC power supply adapter

Environmental

Operating Temperature.....32° ~ 104°F (0° ~ 40°C)
Relative Humidity.....10% ~ 90%

CVBS Input Specifications

Connector.....BNC (×1)
Signal Format.....CVBS
Standards.....NTSC, PAL
Signal Amplitude.....CVBS—1Vp-p
Impedance.....75 Ω

Y/C Input Specifications

Connector.....S-Video (×1)
Signal Format.....Y/C
Standards.....NTSC, PAL
Signal Amplitude.....Y—1Vp-p; C—700mV
Impedance.....75 Ω

Output Specifications

Connector.....HD-15F (×1)
Signal Format.....VGA
Signal Amplitude.....RGB—700mV
HV—TTL level
Impedance.....RGB: 75 Ω
HV: 75 Ω
Resolution.....800×600 ~ 1024×768

ORDERING INFORMATION

◆ Standard Accessories

Model	Product Description
BOX-CVC-101	Analog Video to VGA Converter
BOX-PWR	Power Supply Adapter
BOX-HOLDER	Holder

◆ Optional Accessories

Model	Product Description
BOX-FM-1RU	BOX Series Rack Equipment (can accommodate at most eight 1/2RU high function modules)
BOX-PWD	1×6 Power Supply Distribution Module (power at most six function modules)