

# BOX-XDA-101C

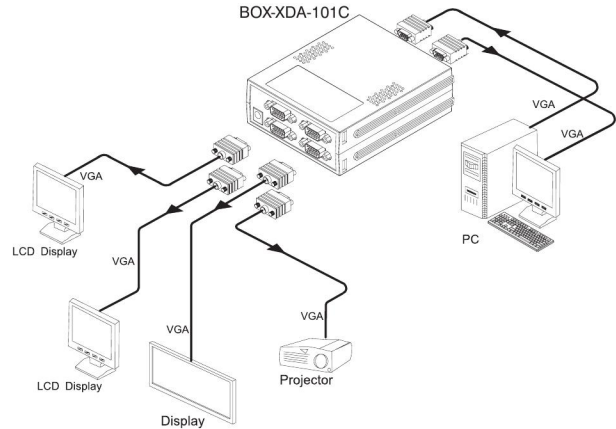
1x4 VGA, Looping Inputs



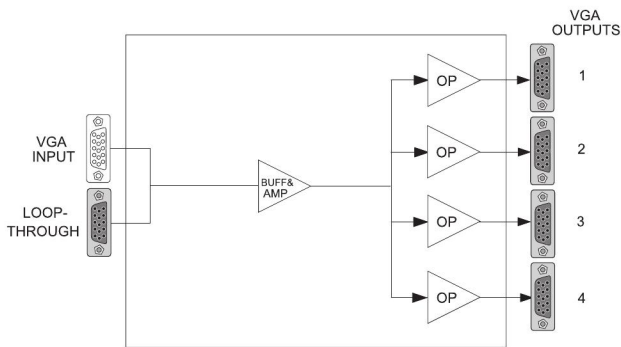
## FEATURES

- 1 VGA input, loop-through supported
- 4 VGA outputs
- Resolution configurable from 640x480 up to 1920x1440
- Distortion-free output image

## APPLICATION DIAGRAM



## BLOCK DIAGRAM



## SPECIFICATIONS

Specifications are subject to change without notice.

### INPUT

Signal Format.....VGA  
 Connector.....HD-15F (x2, loop-thru)  
 Impedance.....75 Ω  
 HV impedance.....Hi-z

### OUTPUT

Signal Format.....VGA  
 Connector.....HD-15F (x4)  
 RGB impedance.....75 Ω  
 HV impedance.....75 Ω  
 Distribution Ratio.....1x4

### PERFORMANCE

Signal Amplitude.....700 mVp-p, RGB; TTL level, HV

Resolution.....1920x1440

### MECHANICAL

Width.....3.86 in. (98 mm)  
 Height.....1.58 in. (40 mm)  
 Depth.....4.72 in. (120 mm)

### ELECTRICAL

Power Supply.....16 V DC power supply adapter  
 Power.....1 W

### ENVIRONMENTAL

Operating Temperature.....32° ~ 104° F (0° ~ 40° C)  
 Relative Humidity.....10% ~ 90%