

# BOX-XDA-101

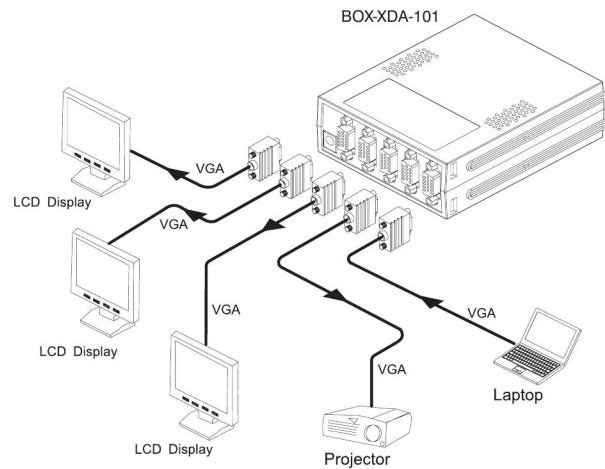
1x4 VGA



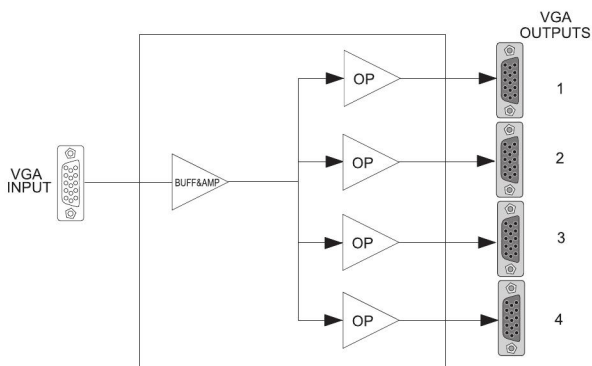
## FEATURES

- 1 VGA video input
- 4 VGA video outputs
- Resolution configurable from 640x480 to 1920x1440
- Distortion-free output image

## APPLICATION DIAGRAM



## BLOCK DIAGRAM



## SPECIFICATIONS

Specifications are subject to change without notice.

### INPUT

Signal Format.....VGA  
Connector.....HD-15F (x1)  
Impedance.....75 Ω

### OUTPUT

Signal Format.....VGA  
Connector.....HD-15F (x4)  
Impedance.....75 Ω  
Distribution Ratio.....1x4

### PERFORMANCE

Signal Amplitude.....RGB---700 mVp-p, HV---TTL level  
Resolution.....1920x1440

### MECHANICAL

Width.....3.86 in. (98 mm)  
Height.....1.58 in. (40 mm)  
Depth.....4.72 in. (120 mm)

### ELECTRICAL

Power Supply.....16 V DC power supply adapter  
Power.....1 W

### ENVIRONMENTAL

Operating Temperature.....32° ~ 104° F (0° ~ 40° C)  
Relative Humidity.....10% ~ 90%