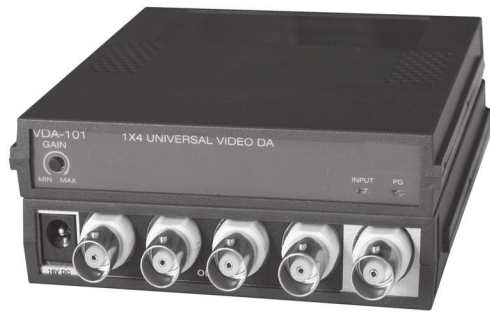


# BOX-VDA-101

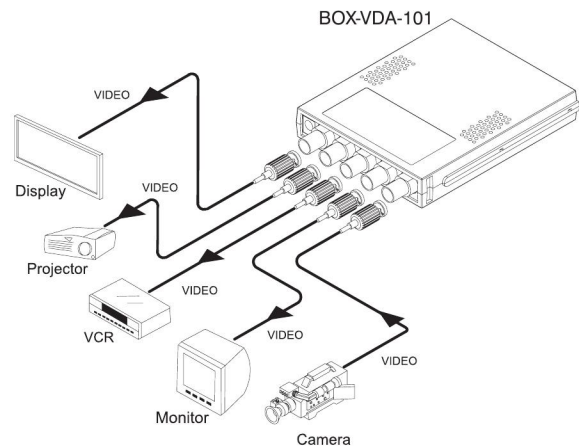
## 1x4 Analog Video



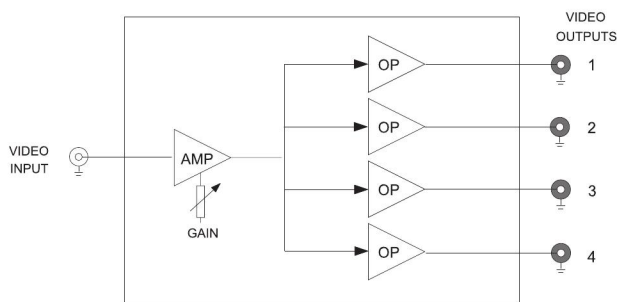
### FEATURES

- 1 analog video input
- 4 analog video outputs
- Front panel LEDs indicating signal and power status
- Output gain adjustment via front-panel trimmer

### APPLICATION DIAGRAM



### BLOCK DIAGRAM



### SPECIFICATIONS

Specifications are subject to change without notice.

#### INPUT

Signal Format.....CVBS or YUV, RGB  
Connector.....BNC (x1)  
Impedance.....75  $\Omega$

#### OUTPUT

Signal Format.....CVBS or YUV, RGB  
Connector.....BNC (x4)  
Impedance.....75  $\Omega$   
Distribution Ratio.....1x4

#### PERFORMANCE

Gain Range.....-3 ~ +3 dB adjustable  
S/N Ratio.....>75 dB  
Differential Gain.....<0.2%

Differential Phase.....<0.2°  
Frequency Response.....>35 MHz @ -3 dB

#### MECHANICAL

Width.....3.86 in. (98 mm)  
Height.....0.79 in. (20 mm)  
Depth.....4.72 in. (120 mm)

#### ELECTRICAL

Power Supply.....16 V DC power supply adapter  
Power.....1 W

#### ENVIRONMENTAL

Operating Temperature.....32° ~ 104° F (0° ~ 40° C)  
Relative Humidity.....10% ~ 90%